

TRESU

TRESU UniPrint Combi

Compact Chamber Doctor Blade System



Meet TRESU at Hall 10B41

Streamlined and compact design for perfect handling

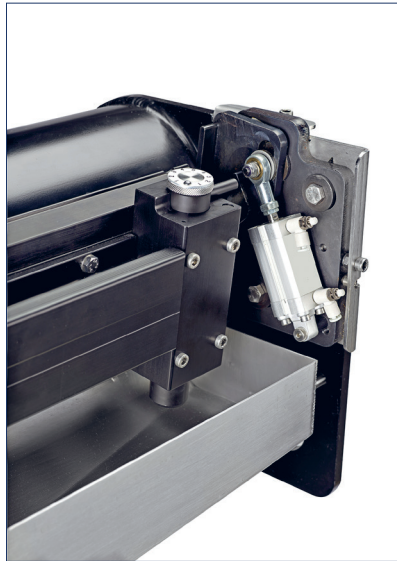
- TRESU AirLock – combined pneumatic and mechanical positioning system
- TRESU pressure control technology for foam elimination
- Patented TRESU E-Line clamping system for fastest doctor blade change
- Patented TRESU end seals guaranteeing genuine quality
- Uniform blade clamping for high quality doctoring
- WB, UV, solvent based inks and coatings
- Anilox width up to 1.200 mm (47") - anilox \varnothing up to 400 mm (15")

www.tresu.com - Sign up and stay connected



TRESU UniPrint Combi

Compact Chamber Doctor Blade System



TRESU airlock

TECHNICAL SPECIFICATIONS

Anilox width	Up to 1.200 mm. (47").
Anilox Ø	80 – 400 mm (3" - 15").
Speed	Up to 300 m/min. (984 ft/min).
Coating mode	Flow and pressure mode.
Clamping	E-Line quick clamping solution.
Design	TRESU air lock – combined pneumatic and mechanical positioning system. High quality doctoring for perfect printing and coating. To be adapted to specific OEM machine manufacturers' ink and coating systems.
Materials and surface	Aluminum with hard anodized surface.
Ink/coatings	WB, UV or solvent based inks and coatings.

TRESU UniPrint Combi Chamber Doctor Blade System with patented genuine TRESU seals ensure perfect sealing.

Clamping system:

E-Line: Excentric, quick clamping solution for chamber widths up to 1.200 mm – 47".

Ink and coating circulation:

Pressure control technology for foam elimination.

Surface and materials:

Aluminum with hard anodized surface treatment.