



TRESU MaxiPrint Concept

Chamber Doctor Blade Concept

for Wide Web and Corrugated Flexo Applications



TRESU MaxiPrint Concept Cuts Cleaning Time and Improves Quality Consistency in Wide Web and Corrugated Flexo Applications

Comprised of a closed chamber, an ink supply unit, and a cleaning cycle, MaxiPrint Concept offers fast, automatic internal cleaning, corrosion-resistance, improved print quality consistency and reduced ink loss.

Complete Ink Change and Cleaning Cycle within 3-5 minutes

The MaxiPrint Concept chambers feature integrated cleaning nozzles with robustly designed water-shot mechanisms, ensuring quick emptying for fast and efficient cleaning of the chamber and anilox roll, and limiting ink loss during the cleaning cycle.

Reservoir or fixed water supply

Disposal of cleaning fluid

Ink supply during printing

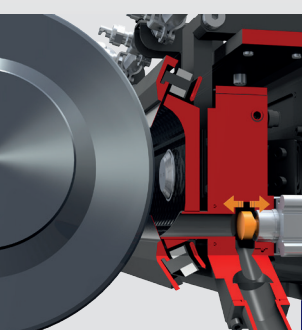
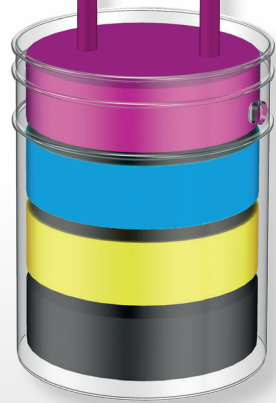
Furthermore, MaxiPrint Concept offers significantly faster emptying performance because the ink/coating fluid is evacuated through both the inlet and the unique quick-emptying outlet.

The Benchmark in Wide Web Flexo

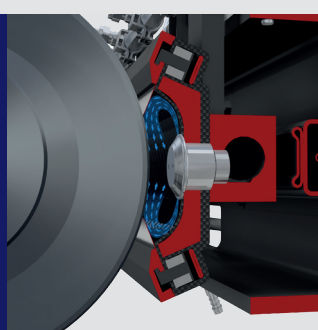
Designed for both new OEM solutions as well as retrofit projects on existing machinery, MaxiPrint Concept is the benchmark for low ink loss, short job changeovers, and efficient cleaning in wide web flexo applications.

TRESU MaxiPrint Concept is available with a peristaltic or diaphragm ink supply system, and can be adapted to any press side according to need and access.

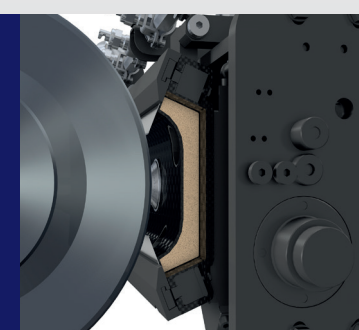
The chambers come with a lightweight carbon-fibre (CFC) or ceramic (CFX) surface, in widths of 1600 mm to 6000 mm.



The optional, high-performance valve ensures quick and efficient emptying of ink/coating fluids from the chamber.

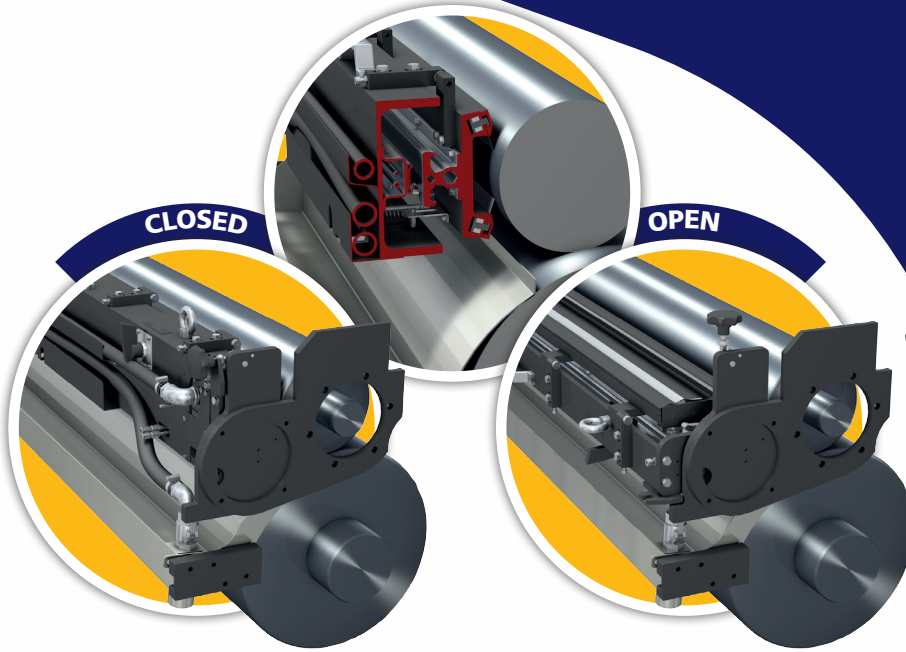


Robust, integrated cleaning nozzles with water-shot mechanism ensures fast cleaning with convincing results.

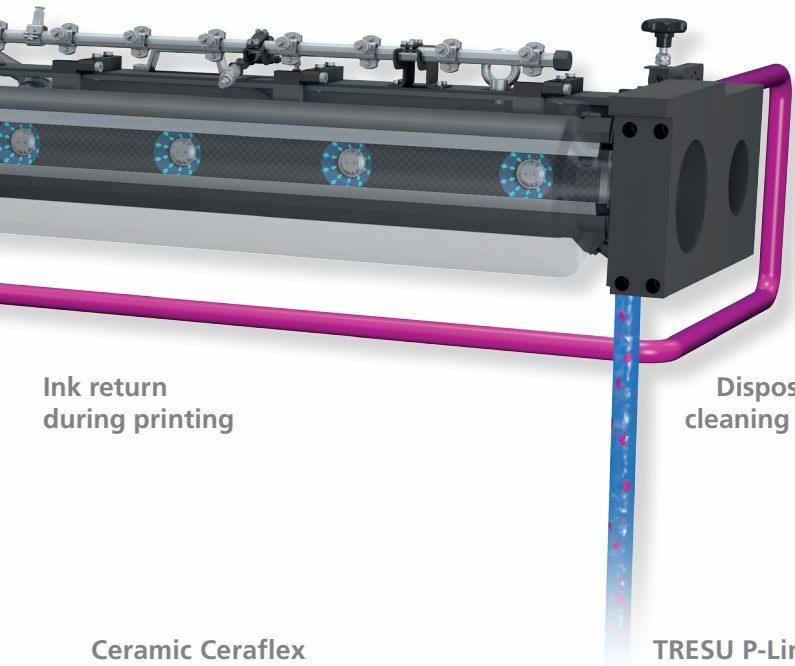
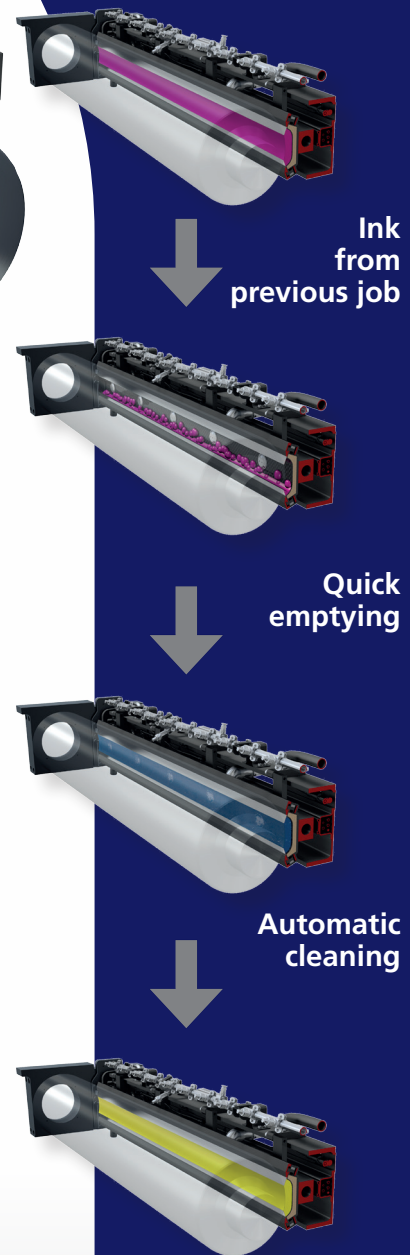


UniPrint C-Suspension

Robust, stable and COMPACT suspension for wide web machines with limited space.



MaxiPrint Concept Ink Change and Cleaning Cycle



Ink return during printing

Disposal of cleaning fluid

Ceramic Ceraflex or Carbon-fibre Chambers

MaxiPrint Concept chambers are available with ceramic (CFX) or lightweight carbon-fibre (CFC) surfaces, offering protection against alkaline corrosion up to pH12. Carbon fibre chambers are lighter and offer safer handling than the ceramic alternative.

TRESU Seal

MaxiPrint Concept features TRESU's patented Seal System. TRESU Seal ensures perfect sealing and prevents leakage.

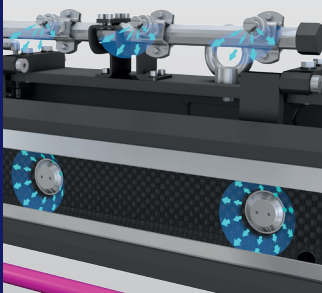
TRESU P-Line

The TRESU P-Line pneumatic clamping system ensures fast and safe one-touch blade exchange in the MaxiPrint Concept. To release the doctor blades a pneumatic switch is simply activated and the blades can be removed and exchanged – all within 2 minutes.

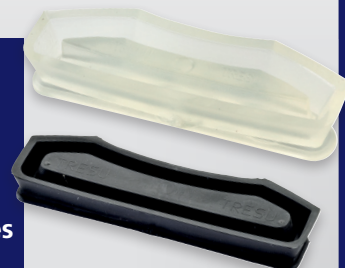
TRESU UniPrint C-Suspension

Compact and stable UniPrint C-Suspensions hold the MaxiPrint Concept chambers in place. The UniPrint C-Suspension offers high stability at high print speeds, and in limited space, making it perfect for retrofit projects. The UniPrint C-Suspension has a pneumatically or mechanical (chamber) loading arm at each machine frame.

The CFC chamber's curved inner surface minimizes volume, controls discharge, and enables perfect cleaning.



The optional TRESU Spray Bar ensures efficient exterior moistening of anilox roller and doctor blades during the cleaning process.

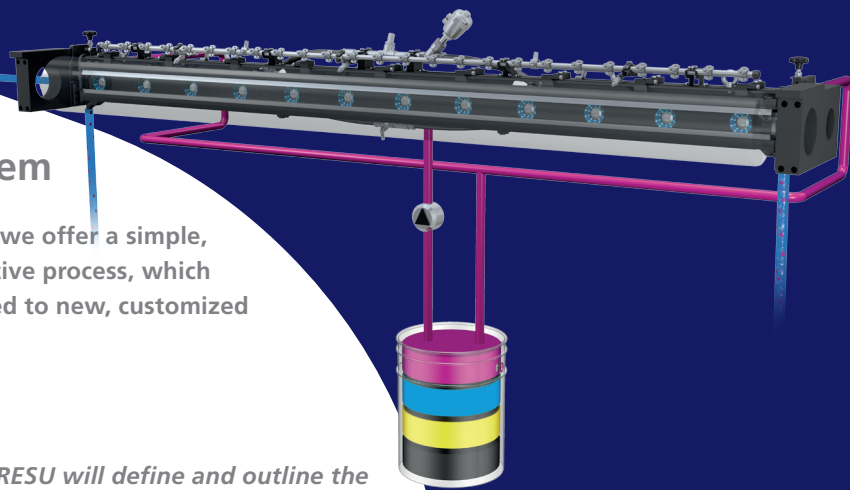


The patented TRESU Seal ensures perfect sealing

Enhance Printing Quality with a Closed Chamber Doctor Blade System

Upgrading from rubber rollers to a closed chamber doctor blade system enhances printing quality and brings your production equipment up to

speed. At TRESU, we offer a simple, proven and effective process, which can also be applied to new, customized OEM solutions:



1

In close cooperation with you, TRESU will define and outline the project for upgrading your new or existing machinery. A TRESU specialist will check the dimensions of your press, determine the right solution for your needs, and outline the project timeline, cost and specifications.

TRESU will design, manufacture and assemble the components for your new chamber doctor blade system at our production facilities in Denmark. We will conduct thorough testing prior to delivery.

2

TRESU will deliver your new state-of-the-art chamber doctor blade system, complete with PLC control, ink supply and cleaning system to your facilities. If retrofit, we will handle the installation, and if necessary, reposition the drives to the anilox rollers. We will of course make sure everything is running smoothly before signing off.

3

25

TRESU has 25 years of experience in developing and installing state-of-the-art chamber doctor blade systems to new and existing production equipment. And with TRESU Global Service, our customer service and technical support program, we make sure our customers stay ahead of the game in terms of performance, efficiency and reliability.

TRESU Group

14-16, Eegsvej
DK-6091 Bjert
Denmark
Tel: +45 76 32 35 00
Mail: tresu@tresu.com
www.tresu.com

TRESU GmbH

Giftener Str. 9A
31157 Sarstedt
Germany
Tel: +49 5066 9174286
Mail: tresu@tresu.de

TRESU Italia s.r.l

Via delle Groane
27/b20024
Garbagnate Milanese (MI)
Italy
Tel: +39 02 96 59 202
Mail: tresu@tresu.it

TRESU Japan Co., Ltd.

8-1-32, Nanko Naka
Suminoe-ku
Osaka, 559-0033
Japan
Tel: +81 6 4703 0601
Mail: sales@tresu.jp

TRESU China

Huashang Building, Room 613
No. 2 Yanjing Xili
Chaoyang District
100025 Beijing
China
Tel: +86 (0) 10 6591 1628
Mail: sales@tresu.cn

TRESU Americas

TRESU Royse, Inc.
8517 Directors Row
Dallas, TX 75247
USA
Tel: +1 214 631 2844
Mail: tresu-royse@tresu.com



The Best Part of Innovation